

## 3.2. Pottery of Area D

WOLFGANG ZWICKEL

Only a few restorable vessels were found in area D (Figs. 3.2:1–5.). Much more material was discovered during the excavations in the 1980's which helped to date the tripartite house to the mid-8<sup>th</sup> century BCE. This is confirmed by the new finds from 2004. All of the vessels discussed here were found inside the tripartite house and in its southern corner. They were found buried in a thick destruction layer connected to the end of stratum II.

Fig. 3.2:1.: L. 3806, basket 13005/1

*Description:* Cooking pot with vertical upper strip below the rim, a rounded carination, the upper part of the pot is smaller in height than the lower one.

*Discussion:* This round shape of carination is typical for the 9<sup>th</sup> and 8<sup>th</sup> century BCE.<sup>1</sup> In the Iron Age IIC period the carination is less rounded or really sharp.<sup>2</sup> The rim of basket 13005/1 is a little bit grooved<sup>3</sup> which is also typical for the 8<sup>th</sup> century BCE.

*Parallels:* Beth-Shan/Bēsān stratum P (8<sup>th</sup>/7<sup>th</sup> century BCE),<sup>4</sup> Tell el-'Orēme Stratum II,<sup>5</sup> Stratum IB.<sup>6</sup>

*Dating:* 8<sup>th</sup> century BCE, more likely in the 2<sup>nd</sup> half of the 8<sup>th</sup> century.

Fig. 3.2:2.: L. 3815, basket 13051/1

*Description:* Storage jar with a high vertical neck, thickened rim, bag-shaped size, and two handles; only the upper part of the jar survived.

*Discussion:* Such storage jars existed already in the 10<sup>th</sup> century BCE but they were still attested in the late 8<sup>th</sup> century BCE as a nearly identical parallel from Tell el-'Orēme confirms.

*Parallels:* Hazor/Tell el-Qedah Stratum X (10<sup>th</sup> century BCE);<sup>7</sup> Tell el-'Orēme Stratum IA.<sup>8</sup>

*Dating:* 10<sup>th</sup> – late 8<sup>th</sup> century BCE.

Fig. 3.2:3.: L. 3815, basket 13094/1

*Description:* Jug, pinched mouth, carinated below the rim, very long neck, rounded body, flat bottom, one handle from the neck to the shoulder.

*Discussion:* This type is typical for the (late) 8<sup>th</sup> century BCE.<sup>9</sup>

*Parallels:* Megiddo/Tell el-Mutesellim Stratum IVA (9<sup>th</sup>/8<sup>th</sup> century BCE);<sup>10</sup> Tell el-'Orēme Stratum IA, IB and II.<sup>11</sup>

*Dating:* Late 8<sup>th</sup> century BCE.

Fig. 3.2:4.: L. 3815, basket 13087/2

*Description:* Lower part of a storage jar, nearly parallel walls, pointed base, two handles.

*Discussion:* These elongated jars became typical in the 8<sup>th</sup> century BCE while in the 10<sup>th</sup> and 9<sup>th</sup> century the storage jars were round-bodied in shape. In the Iron Age IIC period the jars have a distinguishable waist.<sup>12</sup> The parallels from Tell el-'Orēme are from the last quarter of the 8<sup>th</sup> century and demonstrate that this type was also produced after the Assyrian conquest of 733/732 BCE before the shape changed and developed a clear waist.

*Parallels:* Hazor/Tell el-Qedah Stratum VA (8<sup>th</sup> century BCE);<sup>13</sup> Tell el-'Orēme Stratum I and IB.<sup>14</sup>

*Dating:* Late 8<sup>th</sup> century BCE.

<sup>1</sup> Cf. APIN I, Pl. 2.2.7:11.12.17; 2.2.8:5.

<sup>2</sup> Cf. APIN I, Pl. 3.1.3:6.7.9.10.12.

<sup>3</sup> Cf. APIN I, Pl. 2.2.8:5.

<sup>4</sup> APIN I, Pl. 2.2.8:5.

<sup>5</sup> FRITZ 1990, Tf. 91:11.

<sup>6</sup> FRITZ 1990, Tf. 72:4; 73:8.12.

<sup>7</sup> APIN I, Pl. 2.2.12:6.7.8.

<sup>8</sup> FRITZ 1990, Pl. 79:1.

<sup>9</sup> APIN I, Pl. 2.2.16:16.17.

<sup>10</sup> APIN I, Pl. 2.2.16:17.

<sup>11</sup> APIN I, Pl. 2.2.16:16; FRITZ 1990, Pl. 76:2 (different handle); 79:6; 88:7; 93:1.4.

<sup>12</sup> Cf. APIN I, Pl. 3.1.10:7–9.

<sup>13</sup> APIN I, Pl. 2.2.12:18.

<sup>14</sup> FRITZ 1990, Tf. 65:10; 74:1–5; 80:6; 98:10.

Fig. 3.2:5.: L. 3815, basket 13072/1

*Description:* Upper part of a storage jar, folded rim, flat shoulder, carination to the slimly waisted body, two handles.

*Discussion:* Cf. Fig. 3.2:4.

*Parallels:* Hazor/*Tell el-Qedah* Stratum V (cf. the identical rim!, 8<sup>th</sup> century BCE);<sup>15</sup> cf. also the parallels in Fig. 3.2:4.

*Dating:* Late 8<sup>th</sup> century.

The parallels clearly confirm a date of the destruction of the tripartite house in the 2<sup>nd</sup> part of the 8<sup>th</sup> century BCE. This fits very well with the traditional dating of the destruction level of 733/732 BCE. Some of the shapes were still produced in *Tell el-'Orēme* after this destruction by the Assyrians. Likely, the potters were still the same and continued to produce pottery in their traditional manner.

At least four of the five vessels are typical storage vessels for liquids. This suggests that besides grain, which was likely stored in baskets,<sup>16</sup> liquids, such as beer, wine, or oil, were also stored in the tripartite house. Unfortunately, no residue analysis of the vessels' contents was undertaken. The cooking pot was probably not used for cooking but instead it was used for measurement of grain.<sup>17</sup>

### Bibliography

FRITZ, V.

1990 Kinneret. Ergebnisse der Ausgrabungen auf dem *Tell el-'Orēme* am See Gennesaret 1982–1985 (ADPV 15; Wiesbaden).

GITIN, S. (Ed.)

2015 The Ancient Pottery of Israel and its Neighbors from the Iron Age through the Hellenistic Period. Volume 1 (Jerusalem) (= APIN I).

---

<sup>15</sup> APIN I, Pl. 2.2.12:15.

<sup>16</sup> Cf. chapter 2.1.1. in this volume.

<sup>17</sup> Cf. the discussion in this volume chapter 2.1.3.

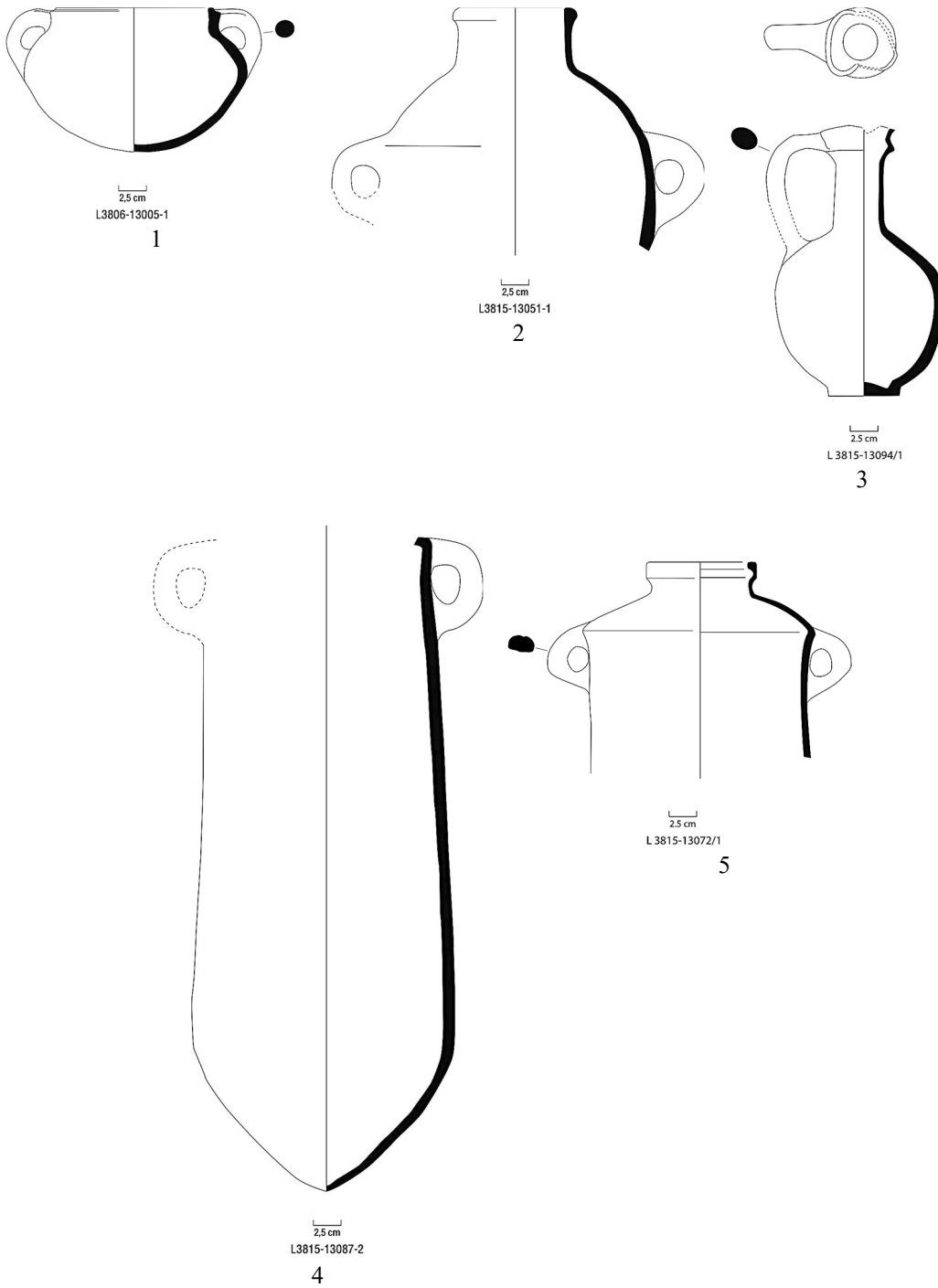


Fig. 3.2.1–5. Pottery of Area D.

